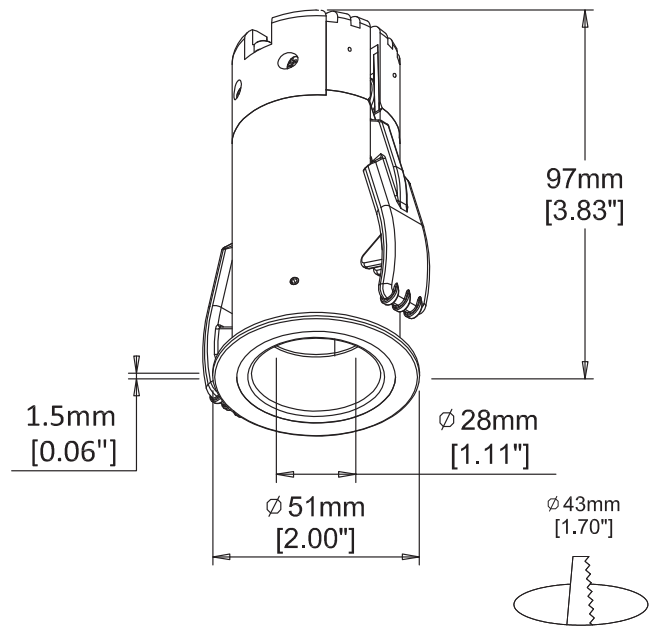
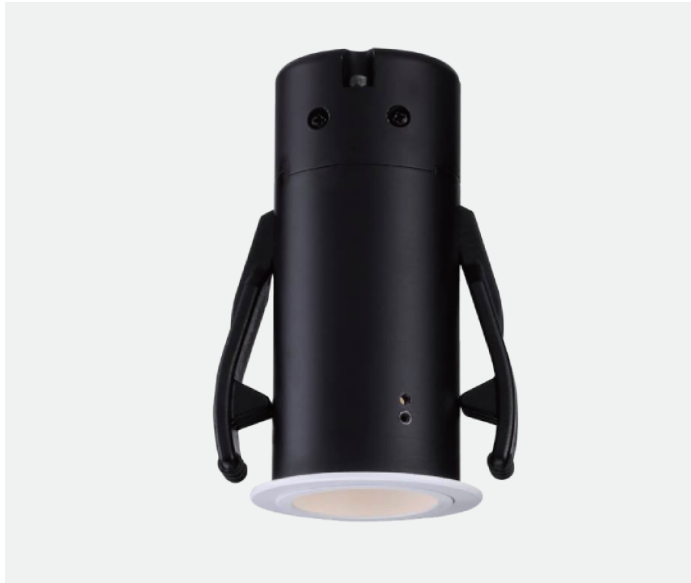


Specification sheet

REV.1

Lithe 25, Colour Round 1" Architectural Recessed Downlight



Description

Lithe 25 is a truly singular recessed downlight that is unmatched in many aspects including performance, construction, installation, and quality. This luminaire is engineered to deliver up to 550 lm from just 1" aperture. Owing to a micro-flange design and just 1.7" ceiling cutout, it is one of the smallest downlight that seamlessly integrates into the ceiling to provide maximal conformity and uniformity. Double trim enables color feature on inner trim for aesthetic and glare control purpose. This luminaire is designed with more than 30° glare control cutoff and carefully selected TIR lens system, available in spot, medium, wide, to present best visual comfort and light quality. Inner trims and TIR lens are available as accessories that can be easily swapped in the field. Unique spring design makes installation hassle-free. Lithe 25 is available with options for round, square, wall wash, three beam angles, four trim colors, four color temperatures, and 90+ CRI making it one of most complete 1" downlight family in the market.

Features

LED	Lumileds Luxeon M LED Array
Color temperature	2700K/ 3000K/ 3500K/ 4000K
Optics	Spot 14° / Medium 24° / Wide 39°
Trim Finishes	White / Gold / Blue / Black
Ceiling Cutout	Ø 43mm [1.70"]

Electrical and Control

Input voltage	See recommended LED driver list
Control	TRIAC/ELV or 0-10V dimming
Feature	1-10V dimming options Overload & short circuit protection

Performance

Delivered output	Up to 525 lm
Power consumption	Up to 9.6 W
Color rendering	80+ CRI (90 CRI optional)
Color consistency	3 SDCM
CBCP	Spot 2374cd/ Medium 1399cd/ Wide 525cd
Lumen maintenance	L70 50,000 hrs

Construction

Material	Machining grade Aluminum
Trim shape	Round
Lens	Interchangeable TIR optics
Accessories	Softening diffusing film

Rating/ Certification/ Warranty

- Dry and damp Locations
- RoHS compliant
- 5 years/ 50,000 hrs limited warranty
- UL Listed

Ordering Code Information

PRODUCT	TRIM STYLE	LUMEN	COLOR TEMPERATURE	FINISH	BEAM ANGLE
LTE 25	R	06	27	WHGD	S
LTE 25	R Round S square	06 600lm	27 (2700K) 30 (3000K) 35 (3500K) 40 (4000K)	WH(White) WHB(White/Black) WHBL(White/Dark Blue) WHGD(White/Gold) WHHZ (White/ Haze)	S (Spot) / 14 deg. M (Medium) / 24 deg. W (Wide) / 39 deg.

Recommend LED Driver:

Driver No.	Input Voltage	Dimming	Note
DE-1-700-10	120V	TRIAC/ELV	
DE-1-900-10	120V	TRIAC/ELV	Consult Factory
DE-4-700-10	220-240V	TRIAC/ELV	
DE-4-900-10	220-240V	TRIAC/ELV	Consult Factory
DA-3-700-10	120-277V	0-10V DIMMING	

Photometric Data : Distribution Curve

Lite 25 RD Colour(Measured with Matt White Trim Finish)

14° Beam Spread
3000K
> 487 lm
Efficacy > 50 LPW

24° Beam Spread
3000K
> 467 lm
Efficacy > 48 LPW

39° Beam Spread
3000K
> 525 lm
Efficacy > 54 LPW

